

FAN RELAY HARNESS AND SWITCH KIT Z40078

Single or Dual Fan Application up to 40 Amp Max Combined

CONTENTS:

- Relay Harness with relay and dual fan connectors
- Fuse Holder with installed 30 AMP fuse
- 185° F Temperature Switch (with 3/8" NPT Threads)
- Instruction Sheet

A Northern Radiator fan relay kit can be installed for any single or dual fan application up to 40 Amp max combined to protect the vehicle wiring and electronics.

WIRING:

- FUSE HOLDER:** Connect to (+) power supply within 12" of the battery. **NOTE:** A 30 Amp fuse is included, but in single fan applications use the lowest fuse per the current draw of the fan being installed. e.g. 12 Amp fan should be protected with a 15 Amp fuse. (40 Amp fuse max).
- BLUE WIRE:** Connect to the fuse holder. **NOTE:** Use a minimum of 12 gauge wire from fuse holder.
- GREEN WIRE:** Connect to the chassis ground by crimping a 12 gauge lead to the yellow butt connector. Seal the shrink tube case with hot air.
- BLACK WIRE:** Connect one black wire to ignition switch (+) 12 volt DC source. Connect the other one to your override or temp switch. **NOTE:** The two leads are interchangeable and it does not matter which black lead you choose for the 12 volt (+).
- FAN TERMINALS:** Connect to the fan(s) leads. If the fan uses a different type plug terminal, clip the terminals (on the fan) and replace with 1/4" flat blade male terminals, and insert into the harness noting the (+) and (-) locations on the wire harness connectors.
- TEMPERATURE SWITCH:** The temperature switch activates "ON" at 185°F and shuts off when the temperature drops to 165°F. Do not use Teflon pipe tape on the temperature switch threads as it will insulate the metal to metal contact required for a proper ground. Use a small amount of pipe thread compound instead.

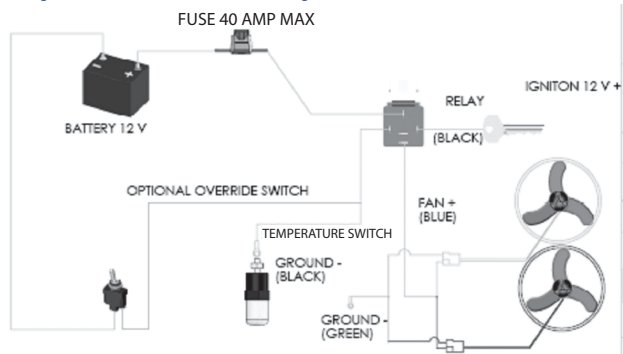
Z18346 TEMP SWITCH Available Separately

FAN TERMINAL HARNESS DIAGRAM



NOTE: For single fan applications there will be one extra fan plug that is not used.

Single or Dual Fan Connection Diagram:



DUAL FAN WITH OPTIONAL ADJUSTABLE TEMP SENSOR #BM346932:

